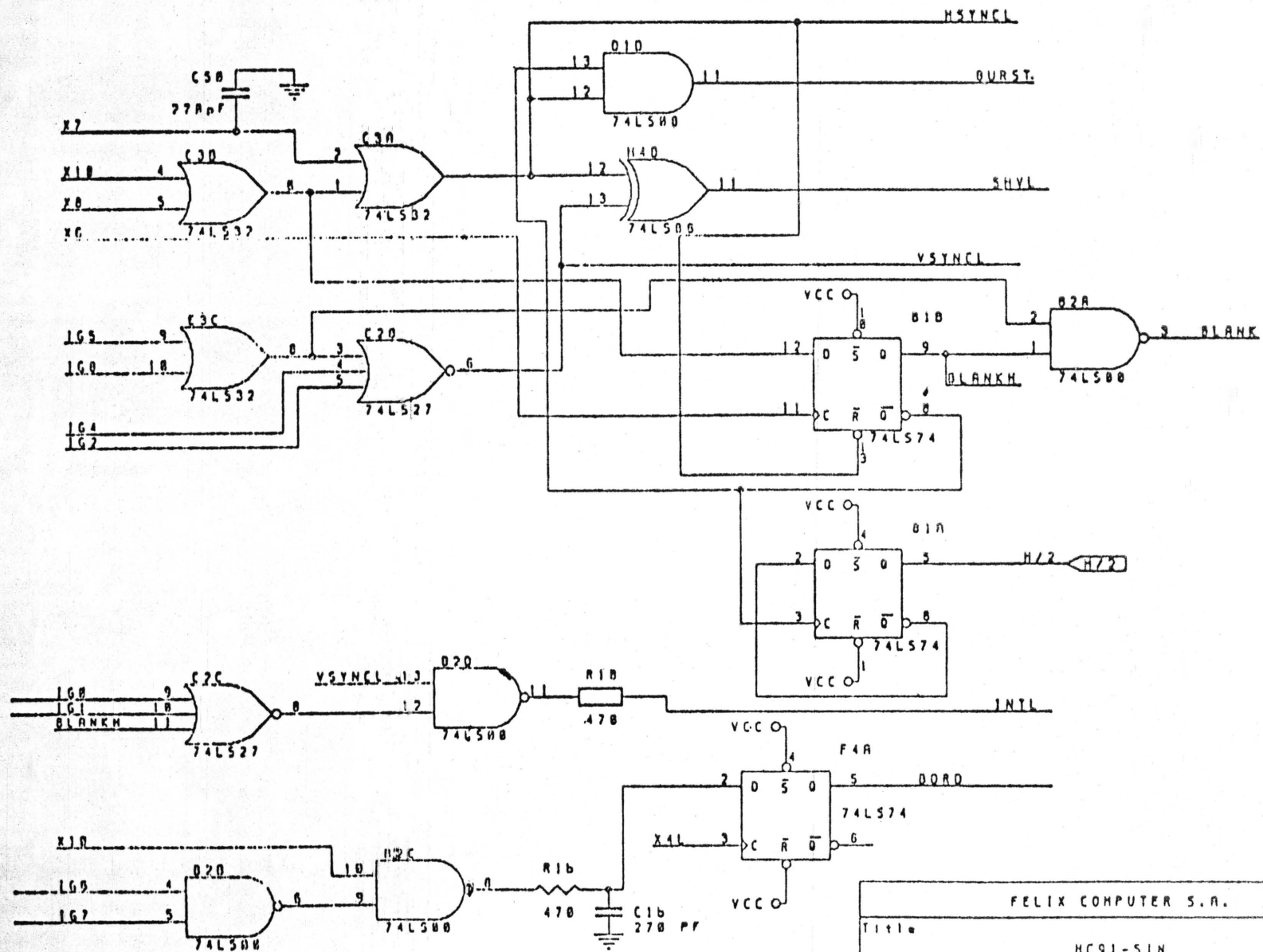
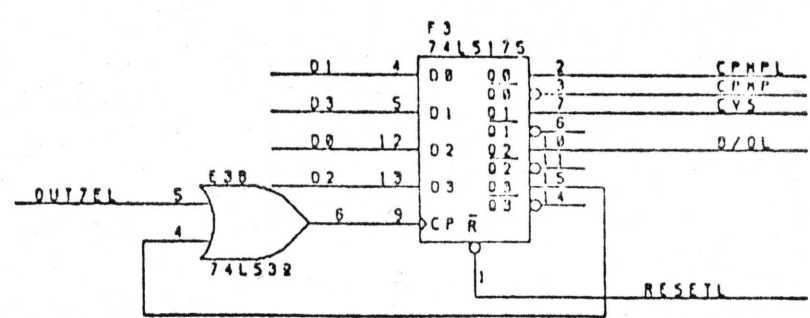
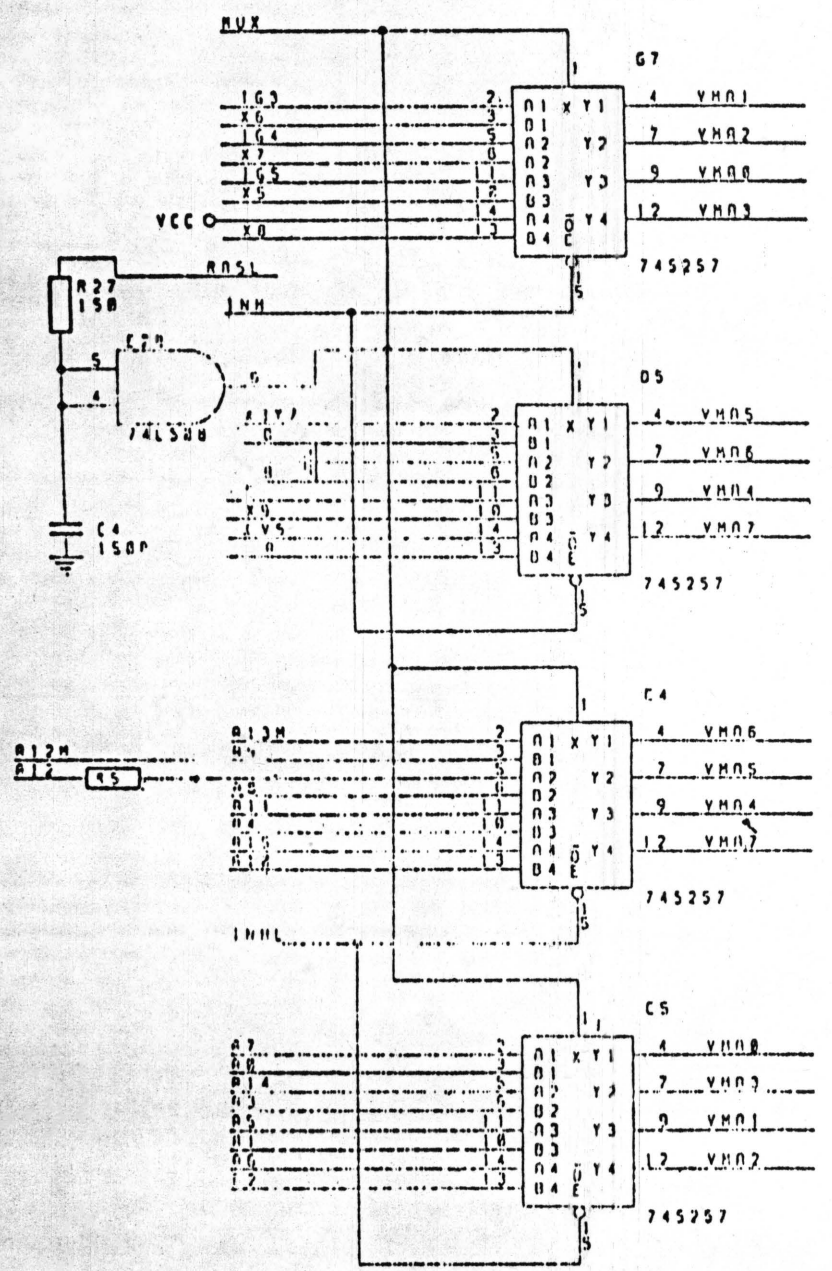


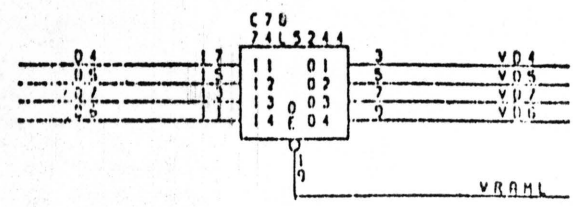
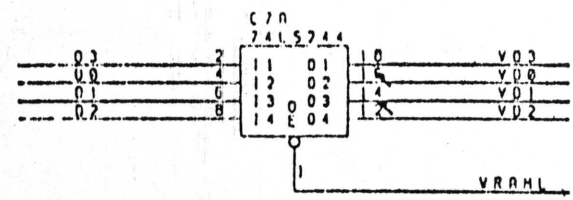
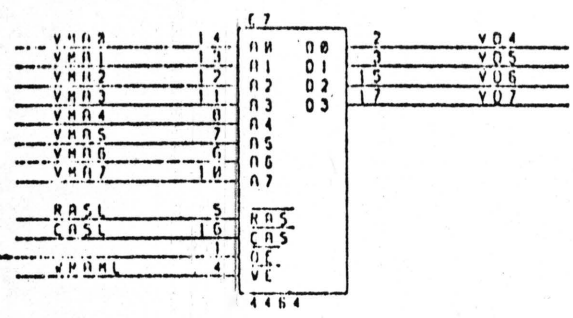
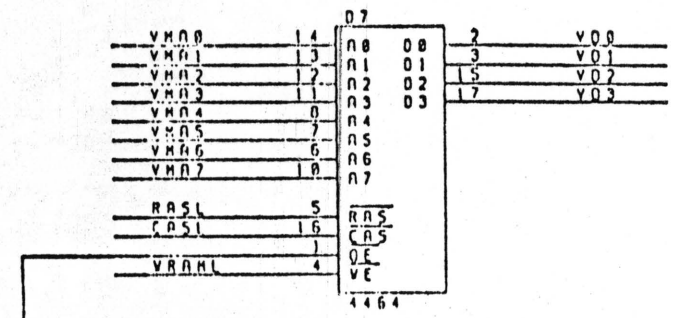
FELIX COMPUTER S.A.		
Title		
HC91-NUM		
Size	Document Number	REV
A4		C
Date	February 27, 1992	Sheet 2 of 9



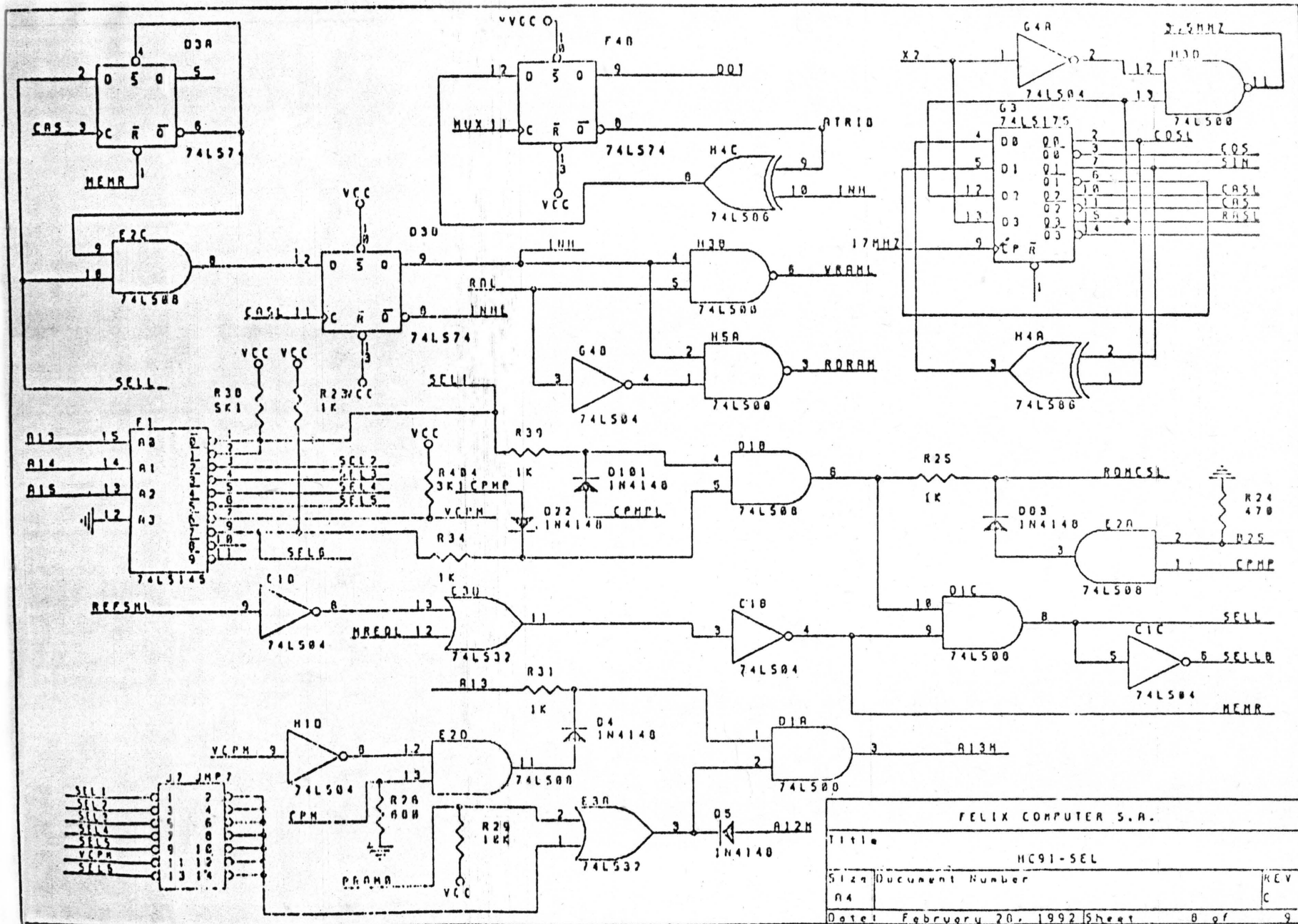
FELIX COMPUTER S.A.		
Title		
HC91-SIN		
Size	Document Number	REV
A4		C
Date:	February 20, 1992	Sheet 2 of 9



FELIX COMPUTER S.A.		
Title		
HC91-MUX		
Size	Document Number	REV
A4		C
Date: February 28, 1992 Sheet 4 of 9		



FELIX COMPUTER S.A.		
Title		
HC91-HEM		
Size	Document Number	REV
A4		C
Date:	February 27, 1992	Sheet 6 of 9

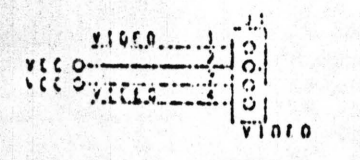
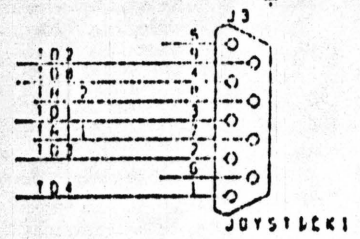
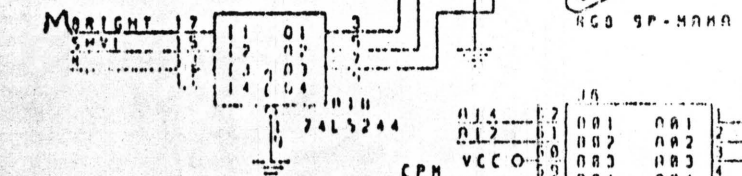
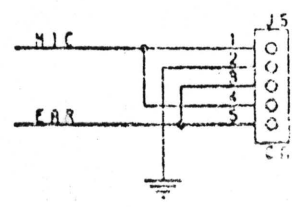
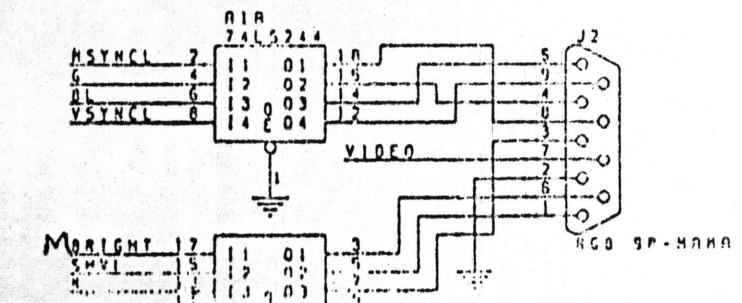


FELIX COMPUTER S.A.

Title: HC91-SEL

Size: Document Number: REV C

Date: February 20, 1992 Sheet 8 of 9



AJ4	2	001	AA1	1	015
AJ2	6	002	AA2	2	011
VCCO	9	003	AA3	3	07
	10	004	AA4	4	
	11	005	AA5	5	
	12	006	AA6	6	00
	13	007	AA7	7	01
CASL	14	008	AA8	8	02
PA	15	009	AA9	9	06
AL	16	010	AA10	10	05
A2	17	011	AA11	11	03
A3	18	012	AA12	12	04
	19	013	AA13	13	
	20	014	AA14	14	INTL
PRAMA	21	015	AA15	15	NMIL
	22	016	AA16	16	HALIL
	23	017	AA17	17	MRCOL
	24	018	AA18	18	LOROL
	25	019	AA19	19	ROL
BUSROL	26	020	AA20	20	VRL
BUSCL	27	021	AA21	21	
A7	28	022	AA22	22	VALIL
A6	29	023	AA23	23	
A5	30	024	AA24	24	MIL
A4	31	025	AA25	25	MLL5IL
ROMCSL	32	026	AA26	26	AV
BUSAKL	33	027	AA27	27	A1A
A9	34	028	AA28	28	
A11	35	029	AA29	29	
	36	030	AA30	30	
	37	031	AA31	31	

A14	1	01	A1	1	A15
A12	2	02	A2	2	A12
CPM VCCO	3	03	A3	3	07
	4	04	A4	4	
	5	05	A5	5	
	6	06	A6	6	00
	7	07	A7	7	01
CASL	8	08	A8	8	02
AA	9	09	A9	9	06
A1	10	10	A10	10	05
A2	11	11	A11	11	03
A3	12	12	A12	12	04
	13	13	A13	13	INTL
	14	14	A14	14	NMIL
PRAMA	15	15	A15	15	HALIL
	16	16	A16	16	MRCOL
	17	17	A17	17	LOROL
	18	18	A18	18	ROL
BUSROL	19	19	A19	19	VRL
AKSIL	20	20	A20	20	
A7	21	21	A21	21	VALIL
A6	22	22	A22	22	
A5	23	23	A23	23	MIL
A4	24	24	A24	24	MLL5IL
ROMCSL	25	25	A25	25	REFSHI
BUSAKL	26	26	A26	26	AV
A9	27	27	A27	27	A1A
A11	28	28	A28	28	

FELIX COMPUTER S.A.

Title			
HC91-CON			
Size	Document Number	KEY	
A4		C	
Date:	February 27 1992	Sheet	2 of 9